

MAGNUM WATER TRAILER



ADVANCED FEATURES:

- 4 HP, 4-STROKE ENGINE
- TSURUMI®, 2" CENTRIFUGAL PUMP, 137GPM
- REVERSIBLE FENDER MOUNTED HOSE STORAGE BIN
- ZINC PLATED STEEL MANIFOLD, BRASS VALVES AND HOSE BIBBS

Magnum Water Trailers are maneuverable and portable. Their size makes them much more efficient than traditional water trucks. They are used to control construction site dust, support cement cutting, landscaping and trenching activities. Our unparalleled customer service/technical support teams and heavy-duty equipment is what gives our customers the ultimate "return on investment."

Tough

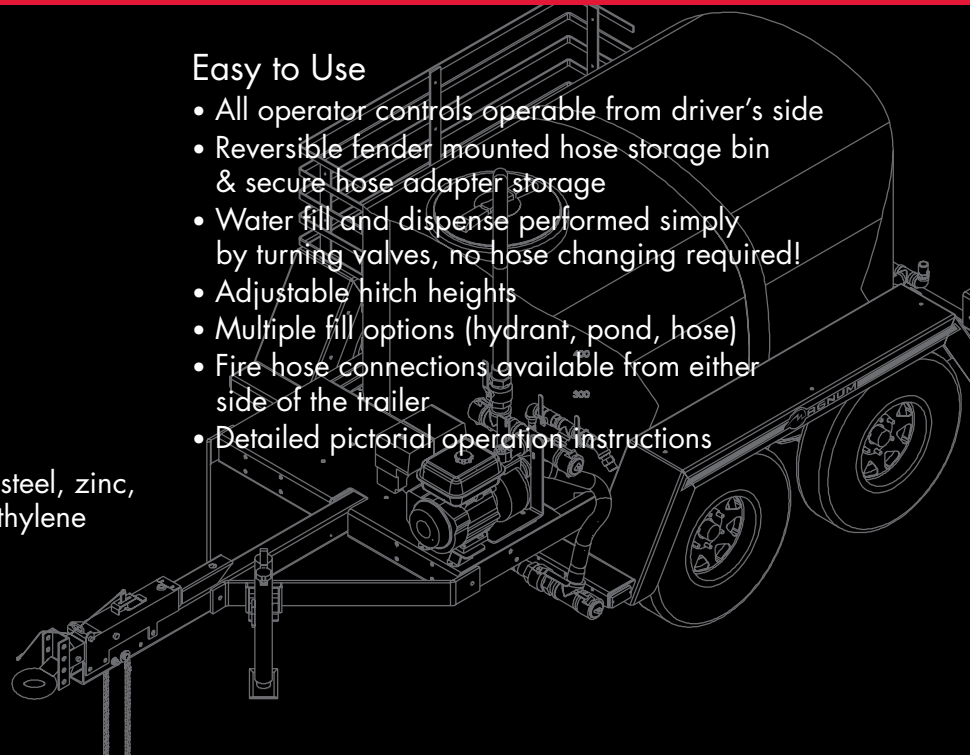
- 2 ⁵/₁₆" ball or 3" pintle ring with adjustable hitch height
- Zinc Plated steel manifold, brass valves and hose bibbs
- Steel fenders with side skirts
- Full length & width tank support
- Steel manifold support

Reliable

- All components exposed to water are either galvanized steel, powder coated steel, zinc, aluminum, brass, PVC, rubber, or polyethylene
- Honda® 4HP, 4-stroke engine with oil alert® and auto decompression
- Tsurumi® centrifugal pump, 2" suction and discharge
- One year, unlimited hour warranty

Easy to Use

- All operator controls operable from driver's side
- Reversible fender mounted hose storage bin & secure hose adapter storage
- Water fill and dispense performed simply by turning valves, no hose changing required!
- Adjustable hitch heights
- Multiple fill options (hydrant, pond, hose)
- Fire hose connections available from either side of the trailer
- Detailed pictorial operation instructions



For more information:

Call: 1-800-926-9768 Fax: 920-361-2214 Or visit: www.M-P-LLC.com

EMPOWERING REAL PEOPLE

215 POWER DRIVE BERLIN, WISCONSIN 54923-2420

™ TRADEMARK AND ® REGISTERED TRADEMARK OF MAGNUM PRODUCTS LLC



SPECIFICATIONS

	Model	MWT 500
Pump	Make	Tsurumi
	Model	TE3-50HAT
	Type	Centrifugal
	Fitting Type	2" Cam & Groove
Engine	Make	Honda
	Model	GX120
	Power – net prime* hp (kW)	3.5 (2.6)
	Fuel Consumption – 100% net prime gph (Lph)	0.18 (0.68)
	Operating Speed rpm	3600
Water Tank	Capacity gal (L)	500 (1895)
	Fill Rate	3–4 min. full tank @ full throttle
Dimensions	L x W x H in (m)	160 x 77 x 64 (4.06 x 1.96 x 1.63)
Weights lbs (kg)	Trailer w/Empty Water Tank	1747 (792)
	Trailer w/Full Water Tank	5747 (2607)
Capacities	Fuel Tank gal (L)	0.66 (2.50)
	Maximum Pump Output gpm (Lpm)	137 (517)
	Maximum Lift Suction ft (m)	28 (8.5)
	Total Dynamic Head ft (m)	115 (35)
	Maximum Pressure psi	49.7
	Maximum Pump Speed rpm	4000
Trailer	Number of Axles	2
	Capacity (Axle Rating) lbs (kg)	3500 (1588)
	Tire Size in	15
	Brakes	Hydraulic
	Hitch (Standard)	3" Tow Ring

New Cast Manifold Assembly



Compact in Design

Fewer pipe connections assure less potential for leakage. Increased deck space for tool box, pressure washer or portable generator storage.

* The power rating of the engine indicated in this document is the net power output tested on a production engine for the engine model and measured in accordance with SAE J1349 at 3600 rpm. Mass production engines may vary from this value. Actual power output for the engine installed in the final machine will vary depending on numerous factors, including the operating speed of the engine in application, environmental conditions, maintenance, and other variables.

Accessory Adaptors & Hoses:

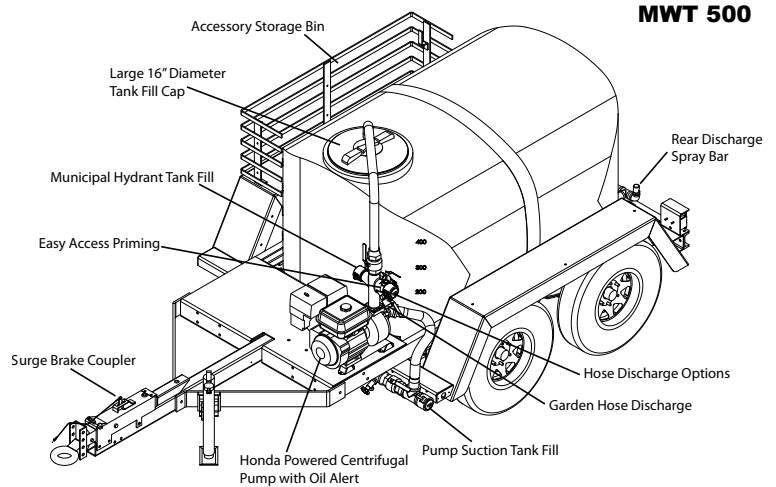
- 20' 2" rigid suction hose with strainer
- 25', 2" spray hose with spray nozzle
- Garden hose with spray nozzle
- Fender mounted reversible hose bin
- Spray nozzle

Water Delivery:

- Pressurized 2" flexible fire hose
- 5/8" pressurized garden hose
- Pressurized navy brass rear spray nozzles
- Pump protected from over pressure cracking

Water Fill:

- Municipal hydrant
- Pressurized 2" rigid fill hose
- Suction hose strainer
- Ponds or other bodies of water



Trailer and Hose/Accessory options are available, call for details

SPECIFICATIONS SUBJECT TO CHANGE
CONTACT YOUR REPRESENTATIVE FOR DETAILS



For more information:

Call: 1-800-926-9768 Fax: 920-361-2214 Or visit: www.M-P-LLC.com